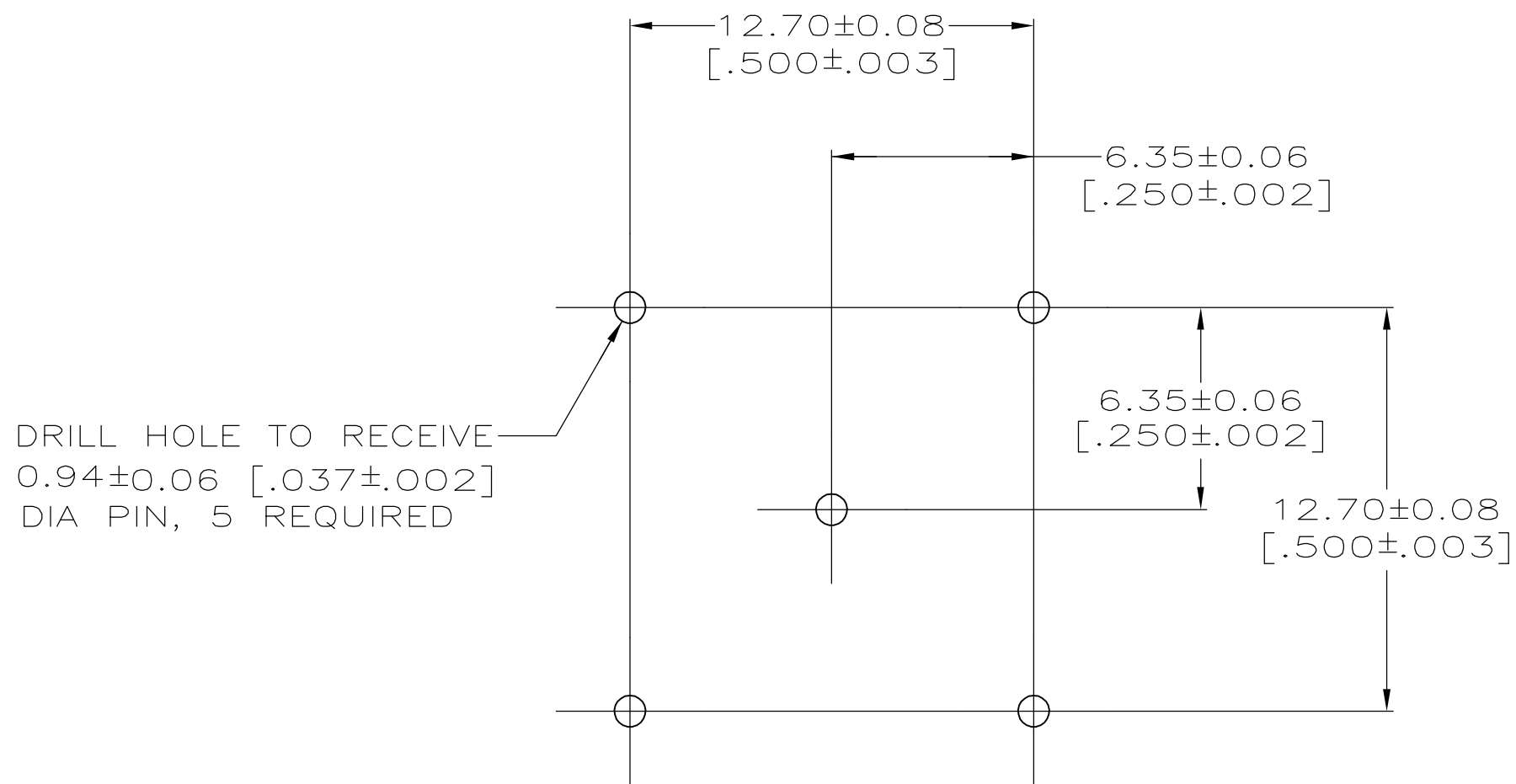
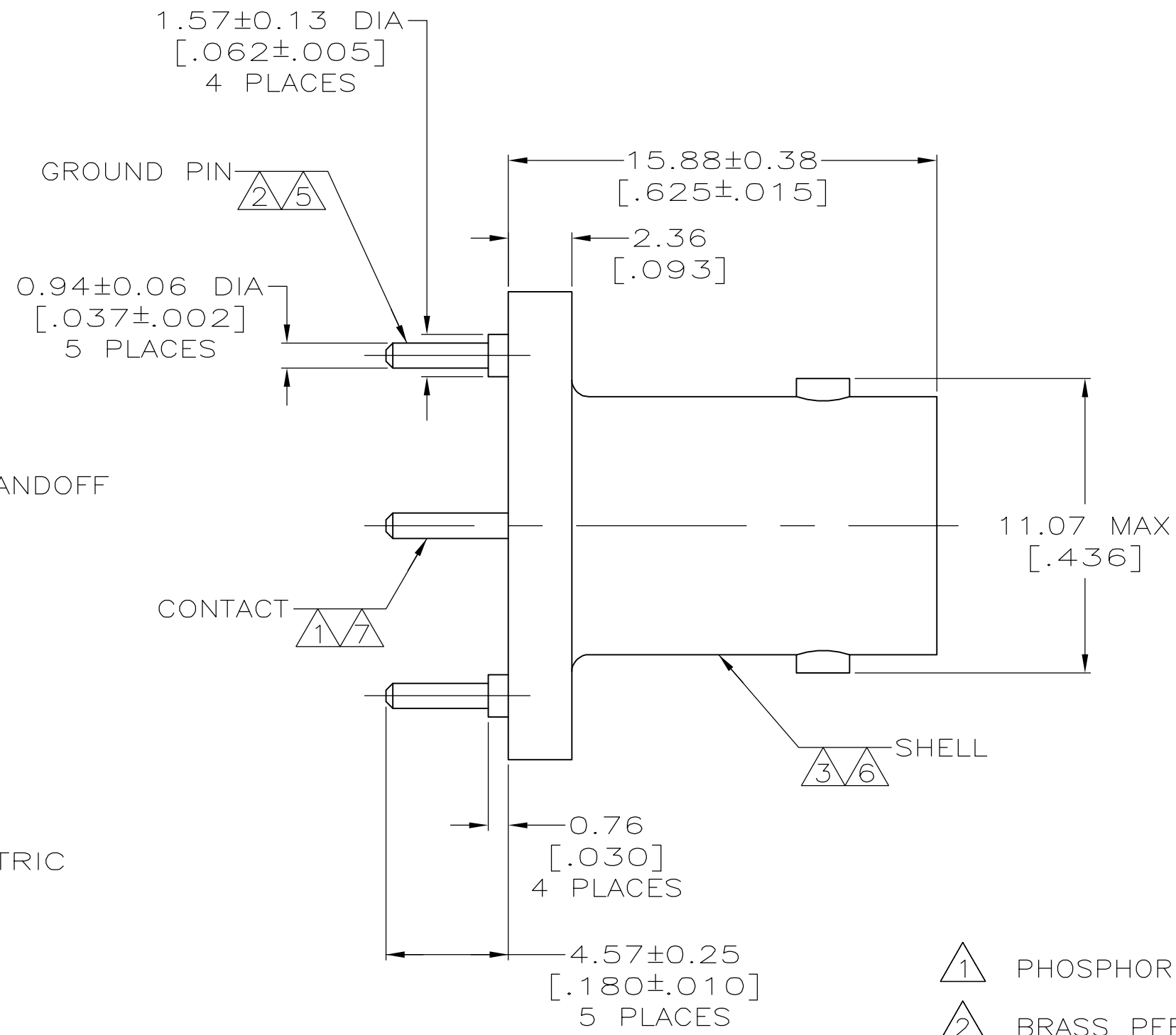
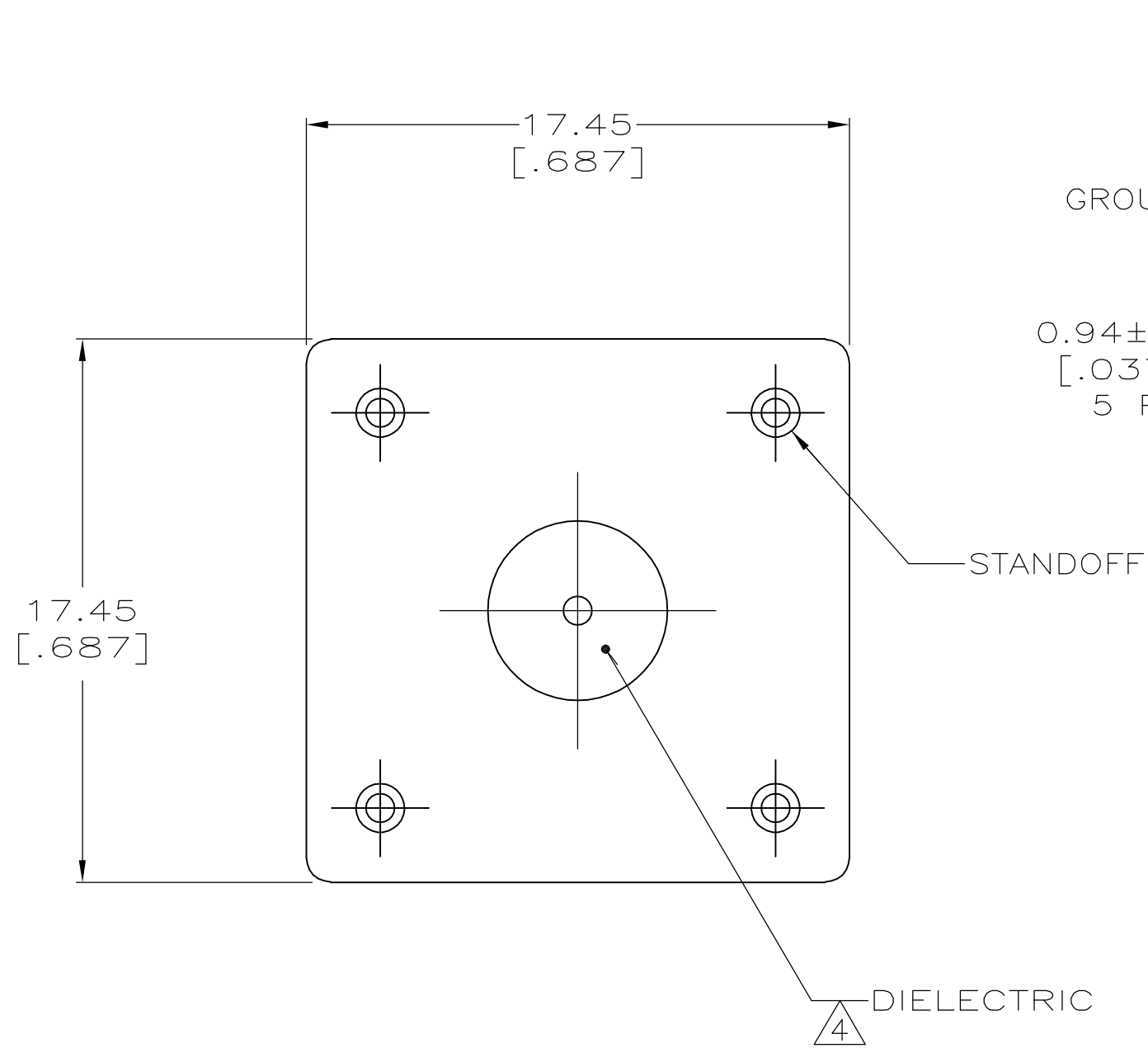


THIS DRAWING IS UNPUBLISHED. RELEASED FOR PUBLICATION  
 © COPYRIGHT BY TYCO ELECTRONICS CORPORATION. ALL RIGHTS RESERVED.

LOC	DIST	REVISIONS			
P	LTR	DESCRIPTION	DATE	DWN	APVD
AJ	16				
		REVISED PER EC 0514-0150-05	05OCT2005	REH	JL



- ① PHOSPHOR BRONZE PER QQ-B-750.
- ② BRASS PER ASTM-B-16.
- ③ ZINC PER QQ-Z-363.
- ④ POLYESTER, PBT, PER MIL-M-24519.
- ⑤ TIN PLATE PER ASTM-B-545  
2.54 μm [.000100] MINIMUM THICK.
- ⑥ NICKEL PLATE PER QQ-N-290  
3.81 μm [.000150] MINIMUM THICK.
- ⑦ GOLD PLATE PER ASTM-B-488,  
0.76 μm [.000030] MINIMUM THICK.
- 8. SEE INSTRUCTION SHEET 408-9889.

5414460-1  
PART NO

THIS DRAWING IS A CONTROLLED DOCUMENT.		DWN J. ALCORTA - 26APR2005	tyco Electronics		Tyco Electronics Corporation Harrisburg, PA 17105-3608	
DIMENSIONS: mm [INCHES]		CHK J. HAVENER 26APR2005	NAME JACK, 50 OHM, VERTICAL, PCB, BNC		RESTRICTED TO	
TOLERANCES UNLESS OTHERWISE SPECIFIED:		APVD J. LIPPERT 26APR2005	PRODUCT SPEC 108-12078		SIZE A2	
0 PLC ± -		APPLICATION SPEC		CAGE CODE 00779		DRAWING NO 5414460
1 PLC ± -		WEIGHT		SCALE 5:1		SHEET 1 of 1
2 PLC ± 0.20 [.008]		MATERIAL SEE NOTES 1 - 4		REV A		
3 PLC ± -		FINISH SEE NOTES 5 - 7		CUSTOMER DRAWING		
4 PLC ± -						
ANGLES ± -						